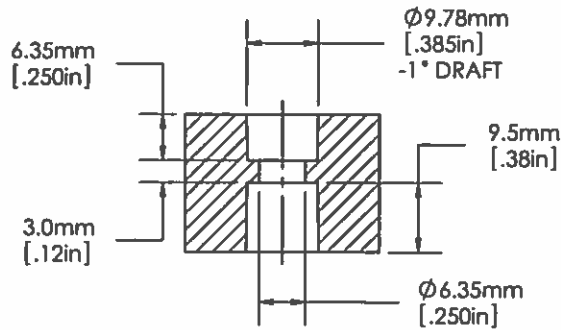
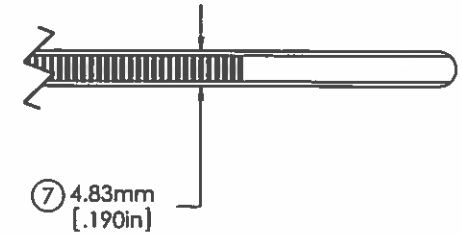
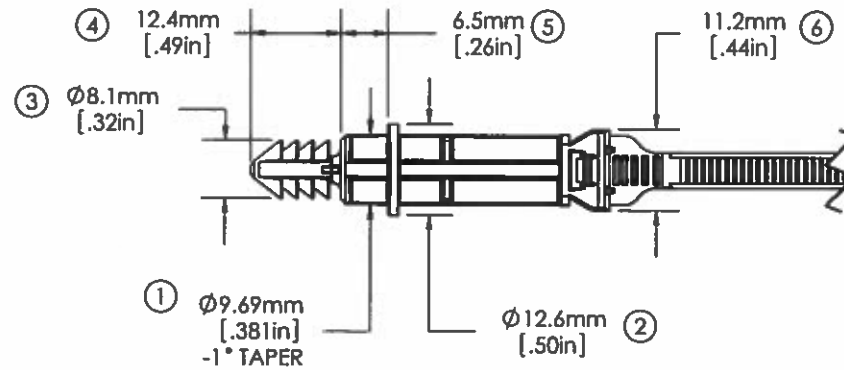
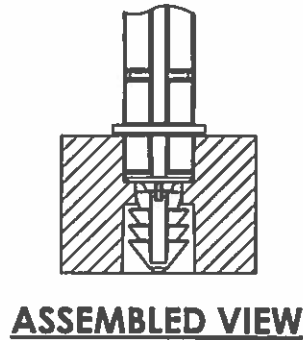


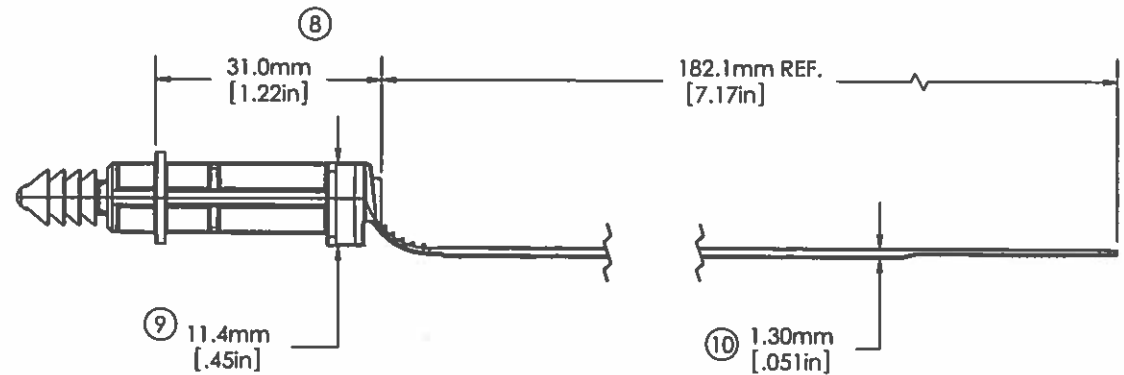
AVERY DENNISON MARKETING SPECIFICATION

HISTORY

REV.	DATE	DESCRIPTION
A	1-5-18	RELEASE TO PRODUCTION



MOUNTING HOLE DETAIL



NOTES:

1) Δ INDICATES SPECIAL CHARACTERISTICS

⑪ Δ	FLAMMABILITY:	HB-2 PER FMVSS302
⑫ Δ	TENSILE STRENGTH:	50 LBF / 22.7 KGF MIN.
	MOUNTING:	SEE MOUNTING HOLE DETAIL AND ASSEMBLED VIEW
	OPERATING TEMP RANGE:	-40°F (-40°C) TO 302°F (150°C)
	WEIGHT:	3.2 GRAMS
	BUNDLE DIAMETER:	Ø 1.6mm TO Ø 44.5mm
	TOOL:	12001 - HAND TOOL 12500 - PNEUMATIC TOOL
	TOOL TENSION SETTING:	6 - 8
	PACKAGING:	500/BAG, 10 BAGS/MASTER

APPROVALS:	ENG. APPR.	<i>[Signature]</i> 1/5/18
	Q.A. APPR.	<i>Caitlin Vaillancourt</i> 1/5/18

SPECIFIED TOLERANCES ARE:	
.XX ± .03 INCHES	.X ± 0.7 mm
.XXX ± .010 INCHES	.XX ± 0.25 mm
ANGULAR: ± 2°	

MATERIAL	NYLON 6/6, IMPACT MODIFIED, HEAT STABILIZED
COLOR	BROWN

AVERY DENNISON <small>FASTENER DIVISION FITCHBURG, MA 01420 U.S.A. TEL. 1-800-225-5913 FAX. 978-353-8157</small>	DESCRIPTION	
	FIR TREE STANDOFF TIE, HIGH HEAT	
STOCK NO.	20106-HHBN	REV. A